

## USB 3-2-1 Raven™ 3204C Pro

4-Port USB 3 (5Gbps), 10GbE LAN or CAT 6a/7 USB-C Extender System



Icron's next gen extender, the Raven 3204C Pro, is the world's first USB 3-2-1 extender over Local Area Network optimized for camera and video capture devices with Isochronous (ISO) support. It extends USB 3 (5Gbps), USB 2.0 and 1.1 devices from a host computer across a 10GbE LAN or a point-to-point CAT 6a/7 connection. The Raven 3204C Pro delivers the same exceptional performance as the Raven 3104 Pro, in a smaller, lighter design, with USB-C ports available for the host and extended devices.

Extend ISO USB cameras, sound bars, hubs and other USB-C or USB-A devices past the standard USB 3 cable (1.8m/6ft) limitation to a PC or laptop across the conference room or to an IT closet with standard CATx cabling.

### Features

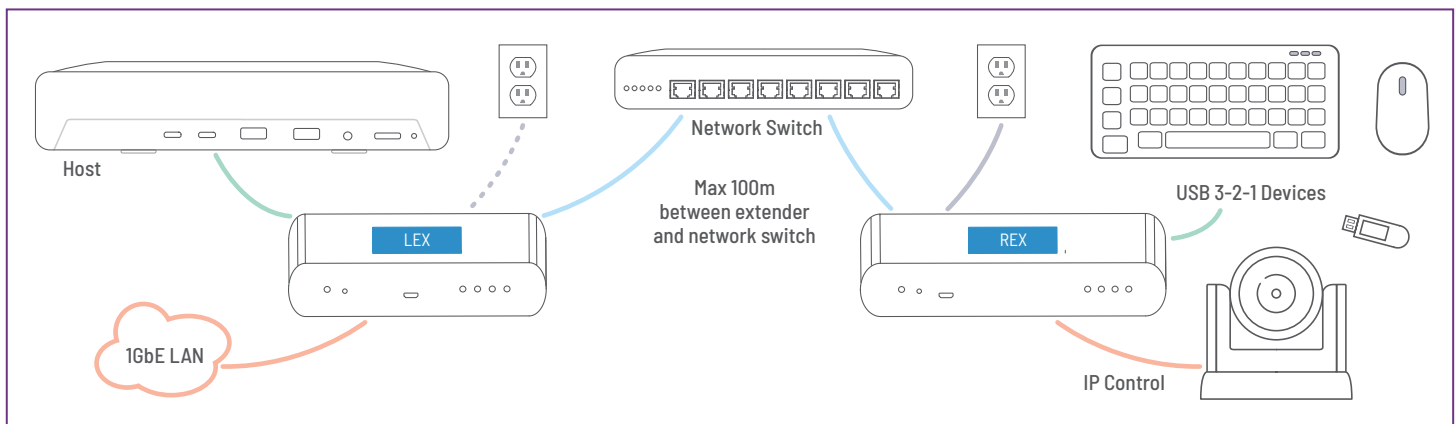
- ▶ Supports all USB 3, 2, and 1.1 devices simultaneously up to 5Gbps (shared)
- ▶ Extends USB 3-2-1 up to 200m across a 10GbE LAN switch or 100m through a single CAT 6a/7 cable
- ▶ Power the LEX (Local Extender) using the USB-C connection to the host\*
- ▶ The REX (Remote Extender) includes 2 USB-C ports and 2 USB-A ports
  - Delivers 3A at each USB-C port and 1.2A at each USB-A port
- ▶ Convenient 'Firmware Upgrade over Network' capability saves time and reduces maintenance costs
- ▶ 1Gb Ethernet pass-through eliminates extra cable runs for simplified installations
- ▶ Compatible with all major UC conferencing applications
- ▶ Supports all USB transaction types (Control, Interrupt, Bulk, and Isochronous)

Includes the ExtremeUSB-C™ suite of features:

- ▶ Transparent USB extension supporting USB 3, 2 and 1
- ▶ True plug and play; no software drivers required
- ▶ Works with all major operating systems; Windows®, macOS™, Linux® and ChromeOS™

### Applications

- ▶ Conference rooms
- ▶ Security and monitoring
- ▶ Video matrix systems
- ▶ Remote storage



\* If the host computer can deliver 15W to the LEX, the LEX power supply is not required.

Icron | An Analog Devices Brand  
4664 Lougheed Hwy., Suite 221  
Burnaby, BC V5C 5T5  
Canada

Visit [icron.com](http://icron.com)

For more information about configuring and operating this product, refer to the complete online user guide.

For technical support, visit [icron.com/support](http://icron.com/support).

For sales/general inquiries, visit [icron.com/contact](http://icron.com/contact).



Specifications subject to change without notification.  
Copyright © 2024 Analog Devices, Inc.  
#90-01931-A03

# Icron USB 3-2-1 Raven™ 3204C Pro Specifications

| MECHANICAL DATA | SPECIFICATIONS          | LEX (LOCAL EXTENDER)                         | REX (REMOTE EXTENDER)                        |
|-----------------|-------------------------|--|--|
|                 | USB Connector           | 1x USB-C Receptacle                          | 2x USB-C Receptacles; 2x USB-A Receptacles   |
|                 | 1GbE Pass-through       | 1x RJ45 Ethernet 100/1000 Port               |  |
|                 | Link Connector          | 1x RJ45 Ethernet Link Port                   |  |
|                 | Power Input             | 24V 1A DC Locking Jack                       | 24V 2.71A DC Locking Jack                    |
|                 | Dimensions (W x D x H*) | 165mm x 100mm x 35mm / 6.50" x 4.00" x 1.38" | 197mm x 100mm x 35mm / 7.75" x 4.00" x 1.38" |
|                 | Weight                  | 572g / 1.26lbs.                              | 697g / 1.54lbs.                              |
|                 | Enclosure Material      | Silver Anodized Aluminum                     |  |

\* Note: Add 2mm to height for non-slip rubber feet on bottom enclosure.

|               |                          |   |
|---------------|--------------------------|---|
| RANGE         | Point-to-Point           | Up to 100m (330 ft) over CAT 6a/7   |
|               | Network                  | Up to 200m across a single 10GBASE-T Switch (Layer 2)                         |
| USB SUPPORT   | USB Bandwidth            | Up to 5Gbps   |
|               | Device Compatibility     | All Device Types and Classes (Control, Interrupt, Bulk, and Isochronous)      |
|               | Host Compatibility       | OHCI, UHCI, EHCI, xHCI  |
|               | Available Current at REX | Supplies 3A (15W) per USB-C port and 1.2A (6W) per USB-A port                 |
|               | Maximum Devices          | Supports up to 30   |
| ENVIRONMENTAL | Temperature              | 0°C to 40°C (32°F to 104°F) Operating / -20°C to 70°C (-4°F to 158°F) Storage |
|               | Relative Humidity        | 20% to 80% Operating / 10% to 90% Storage (Non-condensing)                    |
| COMPLIANCE    | Certifications           | FCC, CE, RoHS2/3 (CE), ICES-003 Issue 7, IEC 62368-1                          |
| SUPPORT       | Warranty                 | 2-year  |

| EXTENDER SYSTEM | PACKAGE CONTENTS                     | PACKAGED WEIGHT |
|-----------------|--------------------------------------|-----------------|
|                 | 1x LEX (Local Extender)              | 2.5kg / 5.5lbs. |
|                 | 1x REX (Remote Extender)             |                 |
|                 | 1x USB-C Cable                       |                 |
|                 | 2x International Locking AC Adapters |                 |
|                 | 2x Country Specific Power Cords      |                 |
|                 | 1x Quick Start Guide                 |                 |



## Ordering Information



The Icron USB 3-2-1 Raven 3204C Pro system includes a LEX, REX, USB-C cable, two international power adapters with country specific power cords, Quick Start Guide and two-year warranty. To order or for more information, contact us online at [icron.com/contact](http://icron.com/contact), by email at [icronSales@analog.com](mailto:icronSales@analog.com), or call +1 604 638 3920.

| PART #   | NAME                                 | DESCRIPTION  |
|----------|--------------------------------------|--|
| 00-00476 | Icron USB 3-2-1 Raven 3204C Pro - NA | 4-Port Pro USB 3-2-1 LAN or CAT 6a/7 USB-C Extender System, Silver, 100-240V Power Adapters - NA |
| 00-00477 | Icron USB 3-2-1 Raven 3204C Pro - EU | 4-Port Pro USB 3-2-1 LAN or CAT 6a/7 USB-C Extender System, Silver, 100-240V Power Adapters - EU |
| 00-00478 | Icron USB 3-2-1 Raven 3204C Pro - UK | 4-Port Pro USB 3-2-1 LAN or CAT 6a/7 USB-C Extender System, Silver, 100-240V Power Adapters - UK |
| 00-00479 | Icron USB 3-2-1 Raven 3204C Pro - AU | 4-Port Pro USB 3-2-1 LAN or CAT 6a/7 USB-C Extender System, Silver, 100-240V Power Adapters - AU |
| 00-00480 | Icron USB 3-2-1 Raven 3204C Pro - JP | 4-Port Pro USB 3-2-1 LAN or CAT 6a/7 USB-C Extender System, Silver, 100-240V Power Adapters - JP |
| 10-00620 | Raven Silver Mounting Kit            | Raven Silver Mounting Kit, Set of 2 Mounting Brackets, Bolts Included                            |